

Description:

The Oventrop isolating and orifice valves “Hydrocontrol AFC” PN 16 are installed in the pipework of hot water central heating and cooling systems and allow the isolation of the various circuits of the system.

The Oventrop isolating and orifice valves have two threaded ports for fill and drain ball valves. The valves are delivered with two blind plugs.

The isolating and orifice valves may be installed in either the supply or the return pipe.

When installing the valve it must be ensured that the direction of flow conforms to the direction of the arrow on the valve body.

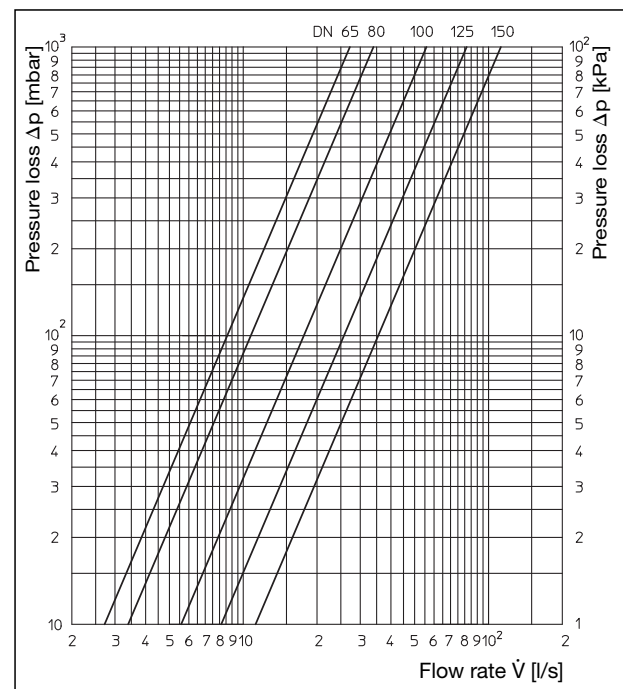
The indicated kvs values are valid for the installation of the isolating and orifice valves in the supply or the return pipe, provided the direction of flow conforms to the direction of the arrow on the valve body.

Advantages:

- the location of the functional components in one plane allows a simple assembly and easy operation
- only one valve for 3 functions:
 - isolating
 - filling
 - draining
- low pressure loss (oblique pattern)



“Hydrocontrol AFC”



Flow chart

Tender specification:

Oventrop isolating and orifice valve “Hydrocontrol AFC” PN 16 for central heating and cooling systems, not suitable for steam, both ports round flanges according to DIN EN 1092-2, PN 16 (corresponds to ISO 7005-2 PN 16), length according to DIN EN 558-1 basic series 1 (corresponds to ISO 5752 series 1).

Valve body made of cast iron (GG25, EN GJL-250 according to EN 1561), bonnet, disc and stem made of bronze/brass resistant to dezincification, disc with PTFE seal, maintenance-free stem seal due to double O-ring, all functioning components on one level, blind plug and fill and drain ball valve interchangeable, installation in the supply or the return pipe.

Technical data:

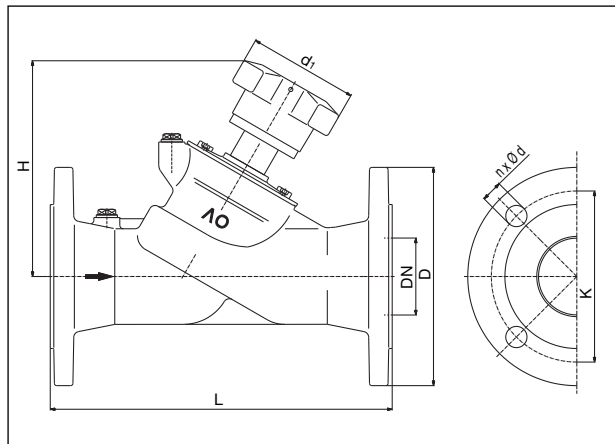
Max. operating temperature t_s : 150 °C
 Min. operating temperature t_s : -20 °C
 Max. operating pressure p_s : 16 bar

Models:

Size	k_{vs}	Item no.
DN 65	98.00	1062051
DN 80	122.20	1062052
DN 100	201.00	1062053
DN 125	293.00	1062054
DN 150	404.30	1062055

Accessories sets:

Fill and drain ball valve	1060191
Extension for accessories sets (80 mm)	1060295
Extension for accessories sets (40 mm)	1688295



DN	L	H	d_1	D	K	$n \times \varnothing d$
65	290	188	110	185	145	4 x 19
80	310	203	110	200	160	8 x 19
100	350	240	160	220	180	8 x 19
125	400	283	160	250	210	8 x 19
150	480	285	160	285	240	8 x 23

Dimensions

Insulation shells:

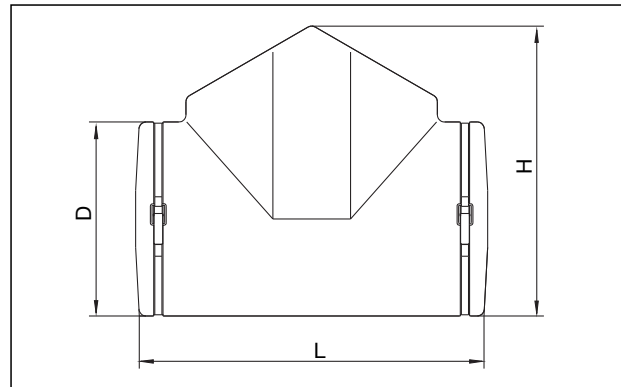
Tender specification:

The insulation shells have a CFC-free inner core made of polyurethane rigid foam with a 1.5 mm plastic coat. They consist of two double shells which are tightened by two metal straps.

They meet the requirements of the German Energy Saving Directive according to appendix 5, table 1, line 5. For heating and cooling systems.

Technical data:

Building material class B2 according to DIN 4102.
 Operating temperature t_s : -10 °C up to +130 °C.
 Cold insulation:
 Min. fluid temperature: +6 °C
 Bond insulation shells airtight (restricted diffusion tightness at low fluid and high ambient temperature and/or air humidity).



DN	L	D	H	Item no.:
65	480	270	405	1062586
80	515	300	430	1062587
100	500	350	595	1062588
125	660	385	573	1062589
150	740	415	598	1062590

Dimensions

Subject to technical modification without notice.

Product range 3
 ti 284-EN/10/MW
 Edition 2015

OVENTROP GmbH & Co. KG
 Paul-Oventrop-Straße 1
 D-59939 Olsberg
 Germany
 Telephone +49(0) 2962 82-0
 Fax +49(0) 2962 82-450
 E-Mail mail@oventrop.de
 Internet www.oventrop.de

For an overview of our global presence visit www.oventrop.de